

2014

Simple & ECO  
Dental Unit

iTalo



---

[www.lineadirettamed.com](http://www.lineadirettamed.com)



Confort





# Design





Five instruments:  
syringe, scaler and three cordons  
with fibre optic  
midwest type

1



2

Multifunctional pedal  
with switch for chair  
control.



3

Assistant tray  
with syringe and  
double canula for  
suction.



4

Three programmable  
positions  
15 function control  
panel



# I-Configuration standard



5

Ruotable arm rest



Double tank for pure water system and disinfectant system

6



7

All in one water, air and electricity switch



8 Doctor Stool



Ruotable and removable tempered glass spitton

9

+ Operating halogen lamp



## Monitor

24 V, color, 15", with glass protection  
Made by LINEA DIRETTA - Italy

1

2

## Endoscope Camera

Sony CCD 1/4, 28 image saved on receiver  
Auto focus, LED illumination  
Made by LINEA DIRETTA - Italy

## Monitor Arms

Set of monitor arms for monitor installation  
Made by LINEA DIRETTA - Italy

3

4

## Electric Micromotor

LED illumination., brushless system, 40.000 rpm.  
Reverse system included  
Made by TKD - Italy

## Amalgama Separator

Made by Metasys - Austria

5

6

## Led Curing Light

Installed on assistant tray  
Made by WOODPECKER

I-Optional



## High Speed Turbine

Ceramic rotor, internal spray.  
Kavo compatible fast coupler  
Made by LINEA DIRETTA - Italy

7

8

## Faro Operating Lamp

Smooth and 3 axis movement. 30.000 lux. Halogen.  
Made by FARO - Italy

## Leather Cushion

With seam and more comfortable.  
Made by LINEA DIRETTA - Italy

9

A

## 1 Year Extension warranty

for dental unit parts only - hand pieces not included  
Made by LINEA DIRETTA - Italy

## 2 Year Extension warranty

for dental unit parts only - hand pieces not included  
Made by LINEA DIRETTA - Italy

B

C

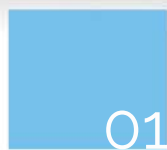
## 3 Year Extension warranty

for dental unit parts only - hand pieces not included  
Made by LINEA DIRETTA - Italy

I-Optional



## Eco Leather



Light Blue



Navy Blue



Dark Blue



Apple Green



Yellow

## Ultra Fiber Leather



Brown



Grey



Blue



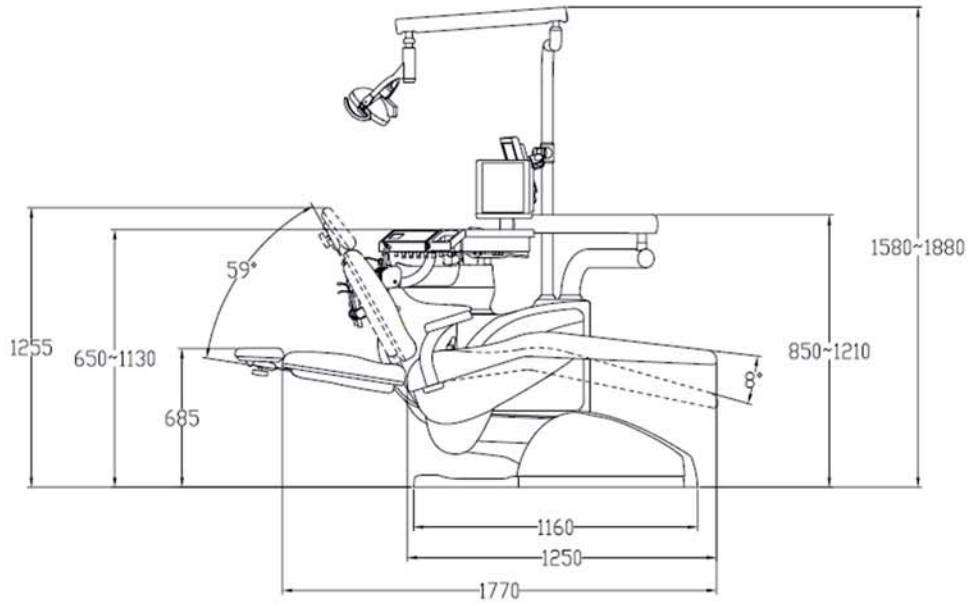
Green



Champagne



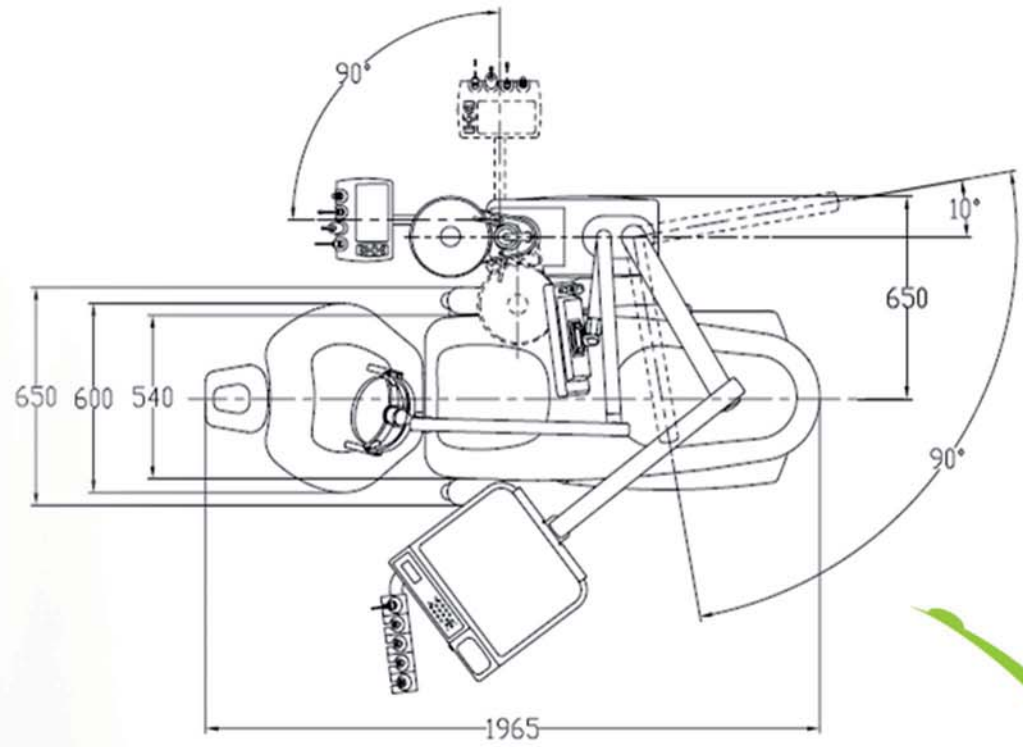
# I-Unit Size



Dental Unit  
Model A.214  
Linea Diretta  
Voltage: AC220-230V 50/60HZ  
Year: 2014  
Serial Number: 132281  
LINEA DIRETTA s.p.a. - Via Europa 14  
10120 - 10120 - 10120



0120



# Steps

**W**atch the dental unit Video Presentation  
Available on our web site

**C**hoose your own configuration  
Colors and Optional

**M**ake your order  
Contact our export department

**S**hipment  
The logistic department will care about it  
Our shipment company can ship all over the world

**E**asy installation  
Thanks to all video on our website  
and our fast installation system



# MORE WITH **L**ive Assistance

Connect your clinic with our show room by webcam  
Less communication problems - Less loss of information

# **E**conomic

All information on Web site  
Less advertising - Less unnecessary high-technology

# **S**imple

Pneumatic system  
Less assistance - Less electronics - Less spare parts

# **S**afe

From production to clinics  
Less intermediary - Less agents

[www.lineadirettamed.com](http://www.lineadirettamed.com)

Linea Diretta Srl

Via Europa 1/a

24026 - Bergamo

[info@lineadirettamed.com](mailto:info@lineadirettamed.com)

Export Department

[noris@lineadirettamed.com](mailto:noris@lineadirettamed.com)

Tel: +39 (0)35 731895

Cell: +39 3405872688

Skype: [linea.diretta.med](https://www.skype.com/name/linea.diretta.med)

Italia

